

Clarius®

Clarius® Small

The Clarius range of high performance Infra-Red LED illuminators are designed to provide class leading performance, long life and ultra low maintenance.

Incorporating the latest surface mount LED's with enhanced optical output and outstanding reliability, they deliver excellent night-time images.

Each unit is fitted with integrated control circuitry to carefully control LED output, delivering consistent illumination and projected working life in excess of 10 years.

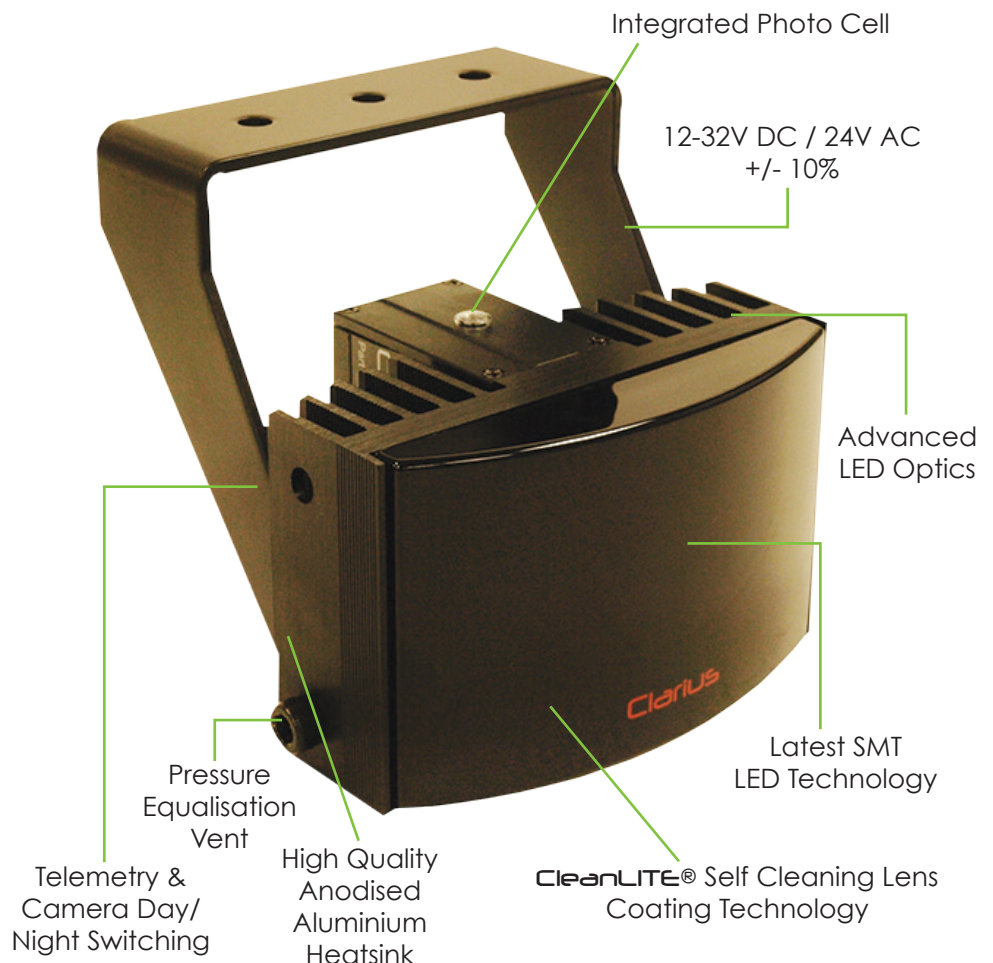
Installation is quick and easy, requiring only 12-32V DC / 24V AC +/- 10%.



PRODUCT FEATURES

- Small IR Illuminator
- Latest SMT LED Technology
- Distances Up To 45m (148')
- Angle 10°, 30°, 60°, 100x50°, 120°
- 850nm or 940nm Wavelengths
- Low Power Consumption (15W)
- Long Life
- 5 Year Warranty
- IP67 Weather Proof Rating
- Built-in Photocell IR On/Off
- Photocell Following Contact
- Telemetry Input for Remote Switching
- 12-32V DV / 24V AC +/- 10%
- **CleanLITE®** Self Cleaning Lens Coating Technology

Recommended PSU ALT-30-24



SECTORS



RESIDENTIAL



COMMERCIAL



INDUSTRIAL



BORDERS



MILITARY BASES



PORTS



POWER PLANTS



HERITAGE



AIRPORTS

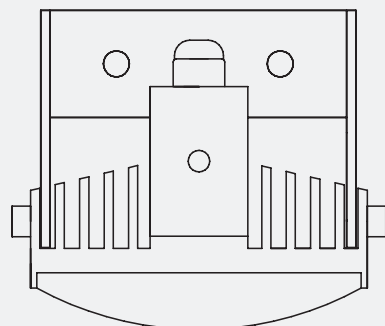
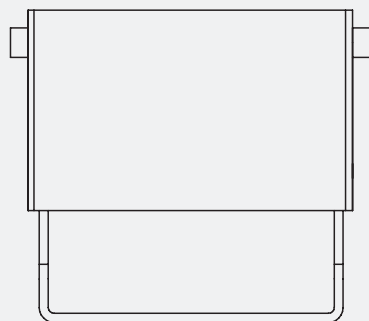
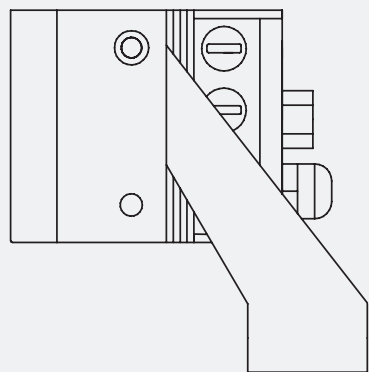


PRISONS

MODEL NUMBER	WAVELENGTH	ANGLE	DISTANCE		FOV	
IS-810	850nm	10°	45m	148'	8m	26'
IS-830	850nm	30°	25m	82'	13m	43'
IS-860	850nm	60°	19m	62'	22m	72'
IS-8100	850nm	100° x 50°	15m	51'	36m	117'
IS-8120	850nm	120°	13m	43'	45m	148'
IS-910	940nm	10°	21m	69'	4m	13'
IS-930	940nm	30°	12m	39'	6m	20'
IS-960	940nm	60°	9m	30'	10m	32'
IS-9100	940nm	100° x 50°	7m	24'	17m	55'
IS-9120	940nm	120°	6m	20'	21m	69'

Other angles available on request.

TECHNICAL SPECIFICATIONS



GENERAL

Electronics

High Efficiency Surface Mount High Power LED's With Advanced Current Limited Integral Control Circuitry
Robust High Quality Aluminium Extrusion
Polycarbonate High Transmission Protective (Vandal Proof) IR Filter with **CleanLITE®** Technology

Construction Front Window

Black Anodised
3m (9ft) including Photocell Following Contact & Remote Telemetry Input

Finish Power Cable

Pressure Equalisation Vent

Prevents Thermal Expansion & Pressure Cycling

Photocell

Adjustable 20 -70 Lux

Illumination

Adjustable 10% - 100%

Operating Temperature

-50° to 60°C (-58° to 140°F)

Weight

750g (1.6lbs)

Mount

Powder Coated Stainless Steel Wall Mount

Dimensions

68 x 110 x 78mm (2.68" x 4.33" x 3.07")

ELECTRICAL

Input Voltage

12-32V DC or 24V AC +/- 10%

Input Current

0.6A at 24V AC

Consumption

15W

WAVELENGTH

Standard

850nm (Semi Covert). Faint Red Glow Only

Optional

940nm (Covert). Minimal Visible Glow

CERTIFICATION

Safety

EN60598:2004

Electrical Safety

EN60825-1

Laser Eye Safety

IP

IP67 In Accordance With EN60529:1992

EMC

EN61000, FCC Part 15. 107 15. 108 Class B

WEEE

Waste Electrical & Electronic Equipment European Directive 2002/96/EC

RoHS

Restriction Of Hazardous Substance European Directive 2002/95/EC

Please note GJD reserve the right to change the information within this document, without notice. **DSIS-31-08-15**

www.gjd.co.uk | info@gjd.co.uk | +44 (0) 1706 363 998

Unit 2 Birch Business Park, Whittle Lane, Greater Manchester, Lancashire, OL10 2SX

