



Clarius® Perimeter Illuminators by GJD

GJD's Clarius® outdoor illuminator range includes IP connected Infra-Red and White-Light LED illuminators. The products incorporate the latest surface mount LED's, combined with enhanced optical output and outstanding reliability to provide the homeowner with smart lighting solutions for a wide range of applications.

Clarius lighting includes an interchangeable lens pack to deliver a variety of angles out of the box; this provides the homeowner with the flexibility to create different elliptical beam profiles to suit specific lifestyle requirements.

Applications:

- Set up ambient lighting for hosting events.
- Configure lights to switch on as soon as any motion is detected within the perimeter.
- Activate the White-Light strobe function to deter intruders.

Integrations:

GJD's Clarius LED illuminators seamlessly integrate with home automation software including:

- Crestron
- Control4
- RTi

The range also supports direct integration with third party cameras, NVR's, VMS's including:

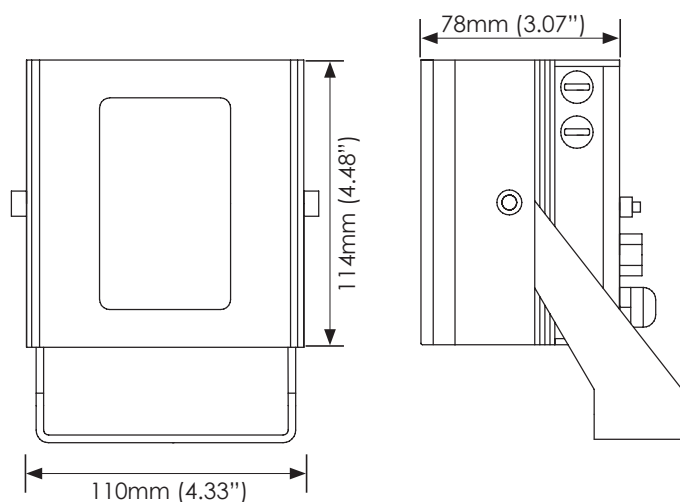
- | | |
|------------------------------|-------------------------|
| • Lilin | • Bosch |
| • Bosch | • Dahua |
| • Vista Qulu | • Axis Camera Companion |
| • Axis Camera Companion | • Hikvision |
| • Wavestore VMS | • Sony |
| • Embsec Visualiser | • Ernitec |
| • QNAP | |
| • Genetec Omnicast | |
| • Griffid GMS & GMC | |
| • Kentima Ethisis | |
| • Milestone XProtect | |
| • Mirasys Carbon | |
| • SeeTec Enterprise & Probox | |

PRODUCT CODES

IM-8-IP Infra-Red Medium IP Illuminator 850nm

IM-9-IP Infra-Red Medium IP Illuminator 940nm

DIMENSIONS



We are continuously testing and updating our integrations, so if you miss your favourite VMS or camera please email info@gjd.co.uk

TECHNICAL SPECIFICATIONS

Product Code	Wavelength	Angle	Distance		FOV	
IM-8-IP	850nm	10° - Circular	187m	614'	33m	107'
		20° - Elliptical	128m	418'	45m	148'
		30° - Elliptical	94m	307'	50m	164'
		60° - Elliptical	60m	195'	69m	225'
		80° - Elliptical	43m	139'	71m	234'
		95° - Elliptical	30m	98'	65m	213'
IM-9-IP	940nm	10° - Circular	115m	376'	20m	66'
		20° - Elliptical	80m	262'	28m	93'
		30° - Elliptical	65m	213'	35m	114'
		60° - Elliptical	40m	131'	46m	152'
		80° - Elliptical	30m	98'	50m	165'
		95° - Elliptical	20m	66'	44m	143'

Medium Clarius IP Infra-Red LED Illuminator	
CONSTRUCTION	Robust high quality aluminium extrusion
PHOTOCELL	Adjustable 20 - 70 Lux
ILLUMINATION	Adjustable 10% - 100%
OPERATING TEMPERATURE	-50°C to 50°C (-58°F to 122°F)
MOUNT	Powder coated stainless steel wall mount
INPUT	PoE+ (IEEE802.3at)
CONSUMPTION	25W
IP RATING	IP66 in accordance with EN60529;1992
ELECTRONICS	High efficiency surface mount high power Dual Core LED's™ with advanced, current limited, integral control circuitry
RECOMMENDED PSU	Any IEEE 802.3at Injector
REMOTE ACCESS	Web browser user interface. No software or installation needed

CERTIFICATIONS

WEEE	Waste Electrical & Electronic Equipment European Directive 202/96/EC
RoHS	Restriction Of Hazardous Substance European Directive 202/95/EC
CE-EMC	
EN 61547	(Lighting-Immunity)
EN 55015	(Lighting-Emission)
EN 55032, Class B	(IT-Emission)
EN 55024	(IT-Immunity)
EN 62493	(Lighting-EMF)
EN 50130-4	(Alarm-EMC)
CE-LVD	
EN 60598-1	(Luminaires-General)
EN 60598-2-1	(Luminaires)
EN 62368-1 / EN 60950-22	
Safety	
EN 62471	(LED safety)
Environmental	
IEC/EN 60529	IP66
IEC/EN 62262	IK09
EN 50130-5	(Alarm-environmental)
N2580, EN 50581	(RoHS), REACH
USA	
cULus, UL 1598	
FCC, Class B	
AUS	
CISPR 22 Class B)	RCM (AS/NZS)

