

# Clarius®

## Clarius® PLUS Medium

The **Clarius® Plus** range of high performance Infra-Red LED illuminators are designed to provide class leading performance, long life and ultra low maintenance.

Incorporating the latest surface mount **Dual Core®** LED's with enhanced optical output and outstanding reliability, they deliver excellent night-time images.

Each unit is fitted with integrated control circuitry to carefully control LED output, delivering consistent illumination and projected working life in excess of 10 years.

The **Clarius® Plus** range of illuminators includes a new interchangeable lens diffuser system; which allows the user to quickly and easily alter the angle of illumination. Elliptical beam profiles allow more light to be delivered where it is needed, allowing both longer distances and minimising light wastage. The system also helps to prevent overexposure of foreground objects.

As standard the illuminator includes interchangeable lensing to deliver 10° circular, 20°, 30°, 60°, 80° and 95° elliptical beam profiles.

### PRODUCT FEATURES

- IR Illuminator Designed To Provide Dedicated Lighting For IP Cameras Via PoE+ (Power Over Ethernet)
- IEEE02at Compliant (PoE+)
- Latest **Dual Core®** SMT LED technology
- Elliptical Beam Profiles
- Distances Up To 187m (614')
- Angle 10°, 20°, 30°, 60°, 80° & 95°
- 850nm or 940nm Wavelengths
- 5 Year Warranty
- IP66 Weather Proof Rating
- Built-in Photocell IR On/Off
- Photocell Following Contact
- Telemetry Input for Remote Switching
- Enable Network Infrastructure Technology
- **CleanLITE®** Self Cleaning Lens Coating Technology



### SECTORS



RESIDENTIAL



COMMERCIAL



INDUSTRIAL



BORDERS



MILITARY BASES



PORTS



POWER PLANTS



HERITAGE



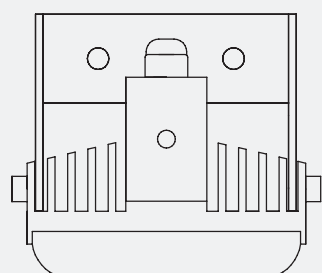
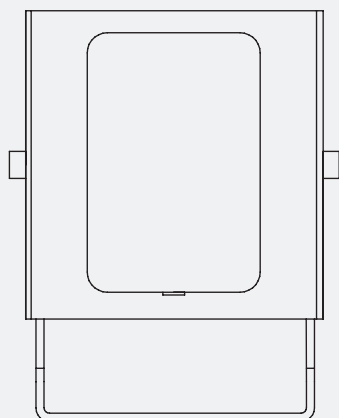
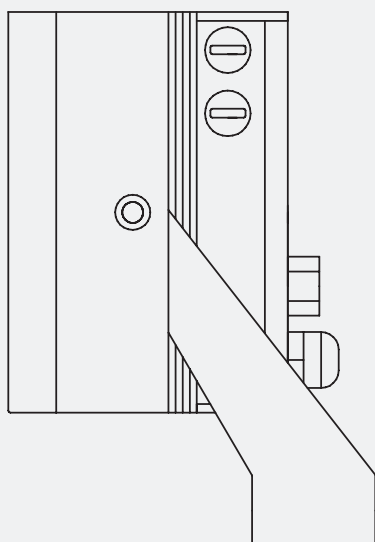
AIRPORTS



PRISONS

Product Code	Wavelength	Angle	Distance		FOV	
IM-8-P	850nm	10° - Circular	187m	614'	33m	107'
		20° - Elliptical	128m	418'	45m	148'
		30° - Elliptical	94m	307'	50m	164'
		60° - Elliptical	60m	195'	69m	225'
		80° - Elliptical	43m	139'	71m	234'
		95° - Elliptical	30m	98'	65m	213'
IM-9-P	940nm	10° - Circular	115m	376'	20m	66'
		20° - Elliptical	80m	262'	28m	93'
		30° - Elliptical	65m	213'	35m	114'
		60° - Elliptical	40m	131'	46m	152'
		80° - Elliptical	30m	98'	50m	165'
		95° - Elliptical	20m	66'	44m	143'

## TECHNICAL SPECIFICATIONS



### GENERAL

<b>Electronics</b>	High Efficiency Surface Mount High Power <b>Dual Core</b> ® LEDs With Advanced Current Limited Integral Control Circuitry
<b>Construction</b>	Robust High Quality Aluminium Extrusion
<b>Front Window</b>	Polycarbonate High Transmission Protective (Vandal Proof) IR Filter with CleanLITE® Technology
<b>Finish</b>	Black Anodised
<b>Power Cable</b>	3m (9ft) with waterproof RJ45 connector
<b>Interface Connector</b>	Photocell Following Contact & Remote Telemetry Input
<b>Pressure Equalisation Vent</b>	Prevents Thermal Expansion & Pressure Cycling
<b>Photocell</b>	Adjustable 20 -70 Lux
<b>Illumination</b>	Adjustable 10% - 100%
<b>Operating Temperature</b>	-50° to 50°C (-58° to 122°F)
<b>Weight</b>	1.05Kg (2.3lbs)
<b>Mount</b>	Powder Coated Stainless Steel Wall Mount
<b>Dimensions</b>	111 x 110 x 78mm (4.49" x 4.33" x 3.07")

### ELECTRICAL

<b>High Power over Ethernet</b>	IEEE802at Compliant (PoE+)
<b>Consumption</b>	26W

### WAVELENGTH

<b>Standard</b>	850nm (Semi Covert). Faint Red Glow Only
<b>Optional</b>	940nm (Covert). Minimal Visible Glow

### CERTIFICATION

<b>Safety</b>	EN60598:2004 Electrical Safety	EN60825-1 Laser Eye Safety
<b>IP</b>	IP66 In Accordance With EN60529;1992	
<b>EMC</b>	EN61000, FCC Part 15. 107	
<b>WEEE</b>	15. 108 Class B	
<b>RoHS</b>	Waste Electrical & Electronic Equipment European Directive 202/96/EC	
	Restriction Of Hazardous Substance European Directive 202/95/EC	

Please note GJD reserve the right to change the information within this document, without notice. **DSIM\_P+-31-08-15**

[www.gjd.co.uk](http://www.gjd.co.uk) | [info@gjd.co.uk](mailto:info@gjd.co.uk) | +44 (0) 1706 363 998

Unit 2 Birch Business Park, Whittle Lane, Greater Manchester, Lancashire, OL10 2SX

