

Clarius®

Clarius® PLUS Small

The **Clarius® Plus** range of high performance Infra-Red LED illuminators are designed to provide class leading performance, long life and ultra low maintenance.

Incorporating the latest surface mount **Dual Core®** LED's with enhanced optical output and outstanding reliability, they deliver excellent night-time images.

Each unit is fitted with integrated control circuitry to carefully control LED output, delivering consistent illumination and projected working life in excess of 10 years.

The **Clarius® Plus** range of illuminators includes a new interchangeable lens diffuser system; which allows the user to quickly and easily alter the angle of illumination. Elliptical beam profiles allow more light to be delivered where it is needed, allowing both longer distances and minimising light wastage. The system also helps to prevent overexposure of foreground objects.

As standard the illuminator includes interchangeable lensing to deliver 10° circular, 20°, 30°, 60°, 80° and 95° elliptical beam profiles.

Installation is quick and easy, requiring only 12-32V DC / 24V AC +/-10%.

PRODUCT FEATURES

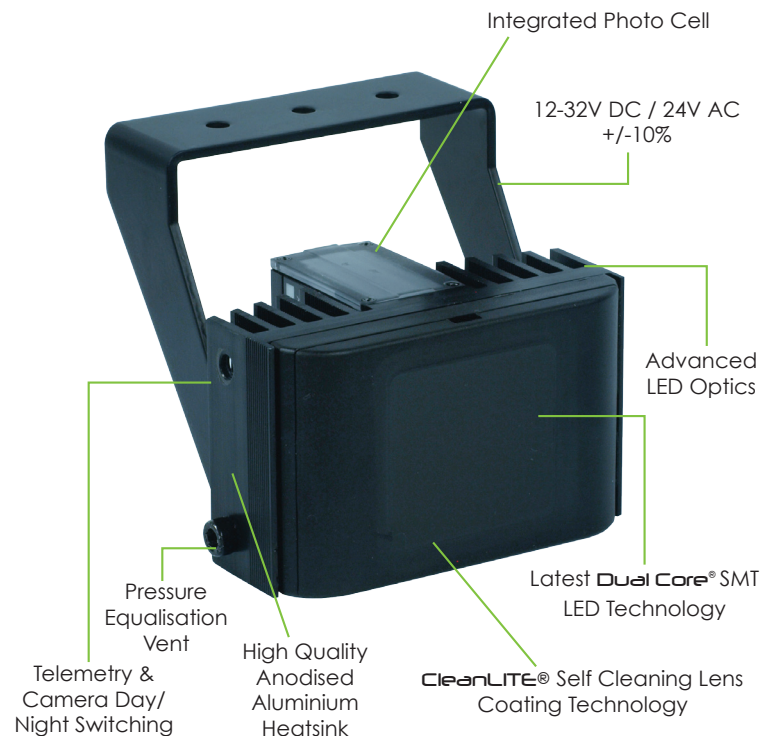
- Small IR Illuminator
- Latest **Dual Core®** SMT LED Technology
- Distances Up To 434' (132m)
- Angle 10°, 20°, 30°, 60°, 80° & 95°
- Elliptical Beam Profiles
- 850nm or 940nm Wavelengths
- Low Power Consumption (15W)
- Long Life
- 5 Year Warranty
- IP66 Weather Proof Rating
- Built-in Photocell IR On/Off
- Photocell Following Contact
- Telemetry Input for
- Remote Switching
- 12-32V DC / 24V AC +/-10%
- **CleanLITE®** Self Cleaning Lens Coating Technology



INTERCHANGEABLE
DIFFUSER LENS

Recommended PSU

ALT-30-24



SECTORS



RESIDENTIAL



COMMERCIAL



INDUSTRIAL



BORDERS



MILITARY BASES



PORTS



POWER PLANTS



HERITAGE



AIRPORTS

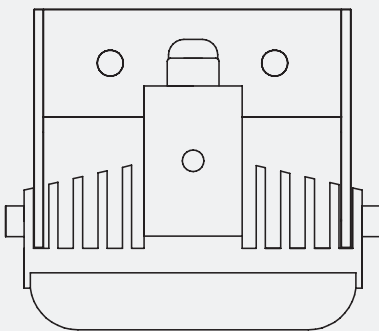
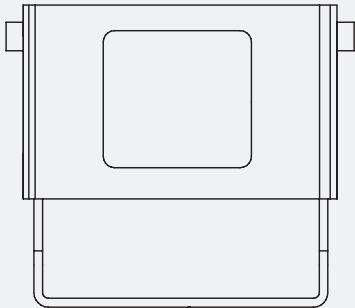
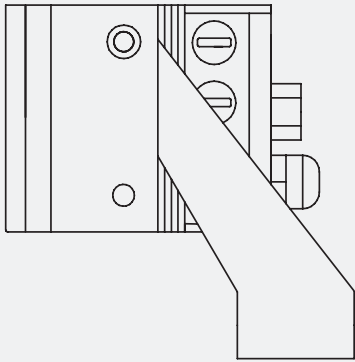


PRISONS

Product Code	Wavelength	Angle	Distance		FOV	
IS-8	850nm	10° - Circular	434'	132m	76'	23m
		20° - Elliptical	296'	90m	104'	32m
		30° - Elliptical	217'	66m	116'	35m
		60° - Elliptical	138'	42m	159'	49m
		80° - Elliptical	99'	30m	165'	50m
		95° - Elliptical	69'	21m	151'	46m
IS-9	940nm	10° - Circular	266'	81m	47'	14m
		20° - Elliptical	158'	48m	56'	17m
		30° - Elliptical	128'	39m	69'	21m
		60° - Elliptical	79'	24m	91'	28m
		80° - Elliptical	59'	18m	99'	30m
		95° - Elliptical	39'	12m	86'	26m

Other angles available on request.

TECHNICAL SPECIFICATIONS



GENERAL

Electronics

High Efficiency Surface Mount High Power **Dual Core**® With Advanced Current Limited Integral Control Circuitry

Construction

Robust High Quality Aluminium Extrusion

Front Window

Polycarbonate High Transmission Protective (Vandal Proof) IR Filter with **CleanLITE**® Technology

Finish

Black Anodised

Power Cable

9ft (3m) including Photocell Following Contact & Remote Telemetry Input

Pressure Equalisation Vent

Prevents Thermal Expansion & Pressure Cycling

Photocell

Adjustable 20 -70 Lux

Illumination

Adjustable 10% - 100%

Operating Temperature

(-58° to 122°F) -50° to 50°C

Weight

1.6lbs (750g)

Mount

Powder Coated Stainless Steel Wall Mount

Dimensions

2.68" x 4.33" x 3.07" (68 x 110 x 78mm)

ELECTRICAL

Input Voltage

12-32V DC or 24V AC +/-10%

Input Current

0.6A at 24V AC

Consumption

15W

WAVELENGTH

Standard

850nm (Semi Covert). Faint Red Glow Only

Optional

940nm (Covert). Minimal Visible Glow

CERTIFICATIONS

WEEE

Waste Electrical & Electronic Equipment European Directive 2012/19/EC

Environmental

IEC/EN 60529

IP66

RoHS

Restriction Of Hazardous Substance European Directive 2011/65/EC

IEC/EN 62262
EN 50130-5

IK09
(Alarm-environmental)

N2580, EN 50581

(RoHS), REACH

CE-EMC

EN 61547
EN 55015
EN 62493
EN 50130-4

(Lighting-Immunity)
(Lighting-Emission)
(Lighting-EMF)
(Alarm-EMC)

USA
cULus, UL 1598
FCC, Class B

AUS

RCM (AS/NZS CISPR 22 Class B)

CE-LVD

EN 60598-1
EN 60598-2-1
EN 62368-1 / EN 60950-22

(Luminaires-General)
(Luminaires)

Safety

EN 62471

(LED safety)

www.qjdusa.com | info@lilin.us | (626) 739-1850

GJD USA Inc: 11836 Clark St, Arcadia, CA 91006, USA

GJD UK HQ: Unit 2 Birch Business Park, Whittle Lane, Heywood, Greater Manchester, OL10 2SX, UK

