

Clarius®

Clarius® PLUS Small

The Clarius range of high performance White-Light illuminators are designed to provide class leading performance, long life and ultra low maintenance.

Incorporating the latest surface mount LED's with enhanced optical output and outstanding reliability, they deliver excellent night-time images.

Each unit is fitted with integrated control circuitry to carefully control LED output, delivering consistent illumination and projected working life in excess of 10 years.

The **Clarius® Plus** range of illuminators includes a new interchangeable lens diffuser system; which allows the user to quickly and easily alter the angle of illumination. Elliptical beam profiles allow more light to be delivered where it is needed, allowing both longer distances and minimising light wastage. The system also helps to prevent overexposure of foreground objects.

As standard the illuminator includes interchangeable lensing to deliver 10° circular, 20°, 30°, 60°, 80° & 95° elliptical beam profiles. Installation is quick and easy, requiring only a 12-32V DC / 24V AC +/- 10%.

PRODUCT FEATURES

- Small WL Illuminator
- Latest SMT LED Technology
- Distances Up To 264' (81m)
- Low Power Consumption (15W)
- Long Life
- 5 Year Warranty
- IP66 Weather Proof Rating
- Built-in Photocell WL On/Off
- Photocell Following Contact
- Telemetry Input for Remote Switching
- 12-32V DC / 24V AC +/- 10%
- **CleanLITE®** Self Cleaning Lens Coating Technology
- Angle 10°, 20°, 30°, 60°, 80° & 95°
- Elliptical Beam Profiles



INTERCHANGEABLE
DIFFUSER LENS

Recommended PSU ALT-30-24



SECTORS



RESIDENTIAL



COMMERCIAL



INDUSTRIAL



BORDERS



MILITARY BASES



PORTS



POWER PLANTS



HERITAGE



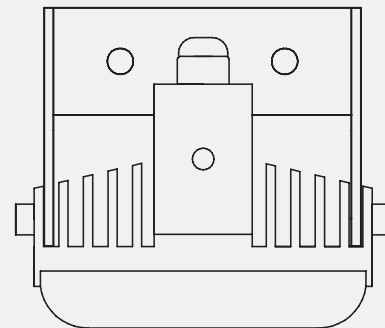
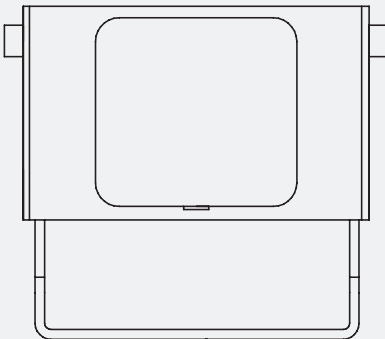
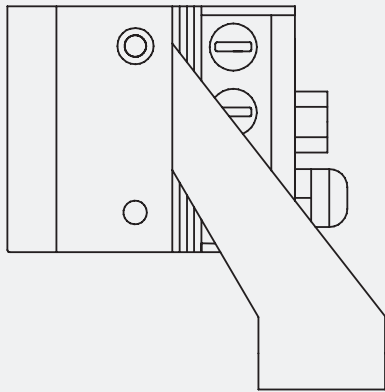
AIRPORTS



PRISONS

Product Code	Angle	Distance		FOV	
VS-CW	10° - Circular	264'	81m	46'	14m
	20° - Elliptical	176'	54m	62'	19m
	30° - Elliptical	154'	47m	83'	25m
	60° - Elliptical	110'	34m	127'	39m
	80° - Elliptical	88'	27m	148'	45m
	95° - Elliptical	66'	20m	144'	44m

TECHNICAL SPECIFICATIONS



GENERAL

Electronics

High Efficiency Surface Mount High Power LED's
With Advanced Current Limited
Integral Control Circuitry

Construction Front Window

Robust High Quality Aluminium Extrusion
Polycarbonate High Transmission Protective (Vandal
Proof) with **CleanLITE®** Technology

Finish

Black Anodised

Power Cable

9ft (3m) Including Photocell Following Contact &
Remote Telemetry Input

Pressure Equalisation Vent

Prevents Thermal Expansion & Pressure Cycling

Photocell

Adjustable 20 -70 Lux

Illumination

Adjustable 10% - 100%

Operating Temperature

-58° to 122°F (-50° to 50°C)

Weight

1.6lbs (750g)

Mount

Powder Coated Stainless Steel Wall Mount

Dimensions

2.68" x 4.33" x 3.07" (68 x 110 x 78mm)

ELECTRICAL

Input Voltage

12-32V DC or 24V AC +/- 10%

Input Current

0.6A at 24V AC

Consumption

15W

LIGHTING OUTPUT

Lumen Output

928lm

Wavelength

Visible Spectrum (400-750nm)

Colour Temperature

6500k

Colour Rendering Index

74-80+

CERTIFICATION

Safety

EN60598:2004 Electrical Safety

EN60825-1 Laser Eye Safety

IP

IP66 In Accordance With EN60529;1992

EMC

EN61000, FCC Part 15. 107

15. 108 Class B

WEEE

Waste Electrical & Electronic Equipment European
Directive 202/96/EC

RoHS

Restriction Of Hazardous Substance European
Directive 202/95/EC

