



## D-TECT 3 Motion Detector

The D-TECT 3 is a BS8418 compliant, quad element PIR and microwave external movement detector, which can be used to control cameras, connect to alarm panels and communicate with GJD's lighting control systems.

The detector's triple technology sensing module is equipped with two volt free and two negative switched outputs with a programmable beam range of up to 30 metres, avoiding boundary overspill and offering truly exceptional resistance to false alarms.



### PRODUCT CODES

**GJD311** D-TECT 3 triple tech (Silver Housing)

**GJD311W** D-TECT 3 triple tech (White Housing)

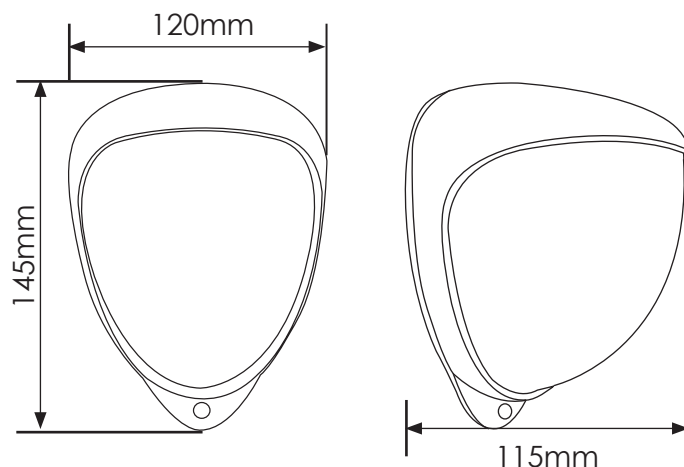
#### UNIQUE FEATURES

- Adjustable pan and tilt
- A conduit cable adaptor is available
- Packed with engineer friendly features to ease cable terminators, set-up and servicing
- Covert sensor module

#### END USER BENEFITS

- Modern design
- Exceptional resistance to false alarms
- Easy to install and highly cost effective
- Robust zinc alloy metal housing
- Integral EOL resistors

### DIMENSIONS



### SECTORS



RESIDENTIAL



COMMERCIAL



INDUSTRIAL



BORDERS



MILITARY BASES



PORTS



POWER PLANTS



HERITAGE



AIRPORTS



PRISONS

# TECHNICAL SPECIFICATIONS

## ACCESSORIES

<b>GJD304W</b>	Conduit Adaptor
<b>GJD305</b>	Pole Mount Bracket
<b>GJD308</b>	'D-Guard' Anti Vandal Cage
<b>GJD380</b>	Walk Tester

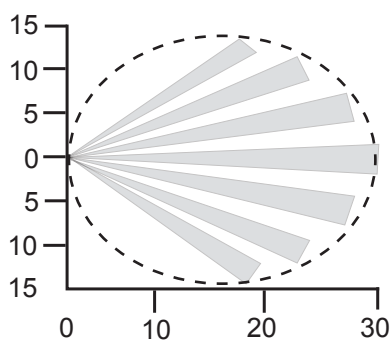
## APPROVED FREQUENCY CODES

Zinc alloy housing available in silver, chrome, black or white finishes with white & optional burgundy polyethylene cover.

**GJD311W** - 10.525GHz

RANGE	Up to 30m programmable
COVERAGE	10° - 70° detection angle, 30m x 30m max
ADJUSTMENT	180° pan + 90° tilt, pan & tilt alignment markers
MOUNTING HEIGHT	Up to 6m (with range reduction) - Optimum 3m
FRESNEL LENS	28 zones for each Pyro pair
CUSTOMISED OPTICS	Double silicon shielded quad element eliminates 50,000 Lux of white light
INDICATORS	3 x LEDs Green - microwave, Red - both PIRs, Blue - alarm output
MICROWAVE FREQUENCY	Country dependent, refer to approved frequency codes
OUTPUTS	2 x volt-free, silent solid state magnetically immune 2 x neg. switched plus one common tamper (front and rear switches)
END OF LINE RESISTANCE (EOL)	Selectable from 1K, 2K2, 3K3, 4K7, 5K6, 6K8
POWER INPUT	9-24 V AC/DC
CURRENT	15 mA (12V nominal)
PULSE COUNT	1-3
WALK TEST	Output test mode with LED indication
OPERATING TEMP	-20°C to +55°C conformally coated electronics for increased stability
TEMP. COMPENSATION	Digital sensitivity adjustment
TIMER OPTIONS	2 to 60 seconds
LIGHT SENSING	Dusk (2 Lux) to 24 hour
HOUSING	High impact zinc alloy
PROTECTION RATING	IP65
DIMENSIONS	145 x 120 x 115 mm
WEIGHT	770g NET, 910g GROSS
CABLE <200M	Utilising all five outputs (incl. tamper) - 12 core 7/0.2mm
CABLE <500M	Utilising all five outputs (incl. tamper) - 12 core 16/0.2mm

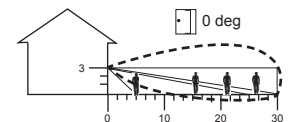
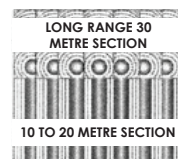
## BEAM COVERAGE



BEAM PATTERN SET TO MAXIMUM RANGE

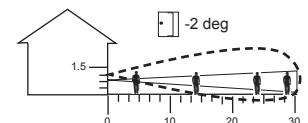
### MULTI-BEAM OPTIMUM

HEIGHT 3 METRES  
RANGE MAXIMUM  
MODULE TILT 0 DEGREE



### PET IMMUNITY

HEIGHT 1.5 METRES  
RANGE MAXIMUM  
MODULE TILT -2 DEGREE



### CURTAIN COVERAGE

HEIGHT 6 METRES  
RANGE MAXIMUM  
MODULE TILT 45 DEGREE

