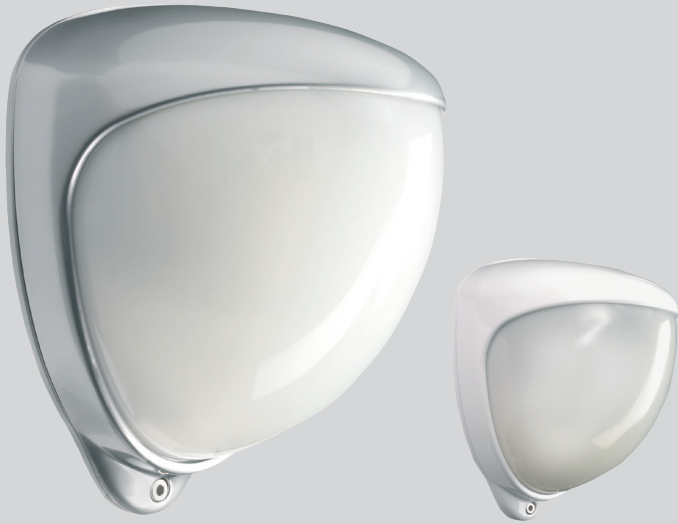




D-TECT 50 Motion Detector

The D-TECT 50, BS 8418 compliant movement detectors combine advanced signal processing and unique optical systems, which allow for the beam range to be programmed from 82ft to 164ft (25 to 50m), avoiding boundary overspill, making it particularly effective for perimeter detection.



PRODUCT CODES

GJD350 D-TECT 50 PIR Detector (Silver Housing)

GJD350W D-TECT 50 PIR Detector (White Housing)

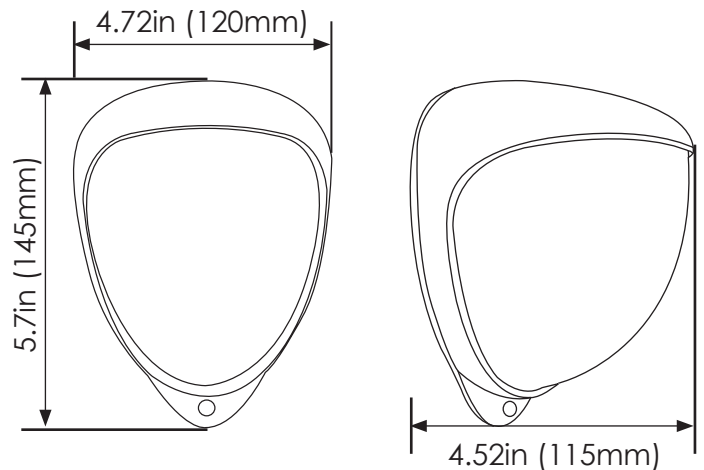
UNIQUE FEATURES

- Detection area of up to 164ft (50m)
- Adjustable pan and tilt
- A conduit cable adaptor is available
- Engineer friendly features to ease cable termination, set-up and servicing
- Covert sensor module

END USER BENEFITS

- Exception resistance to false alarms
- Easy to install and highly cost effective
- Robust IP65 Zinc Alloy metal housing
- Long range narrow width detection beam

DIMENSIONS



*Not compatible with lighting control applications

SECTORS



RESIDENTIAL



COMMERCIAL



INDUSTRIAL



BORDERS



MILITARY BASES



PORTS



POWER PLANTS



HERITAGE



AIRPORTS



PRISONS

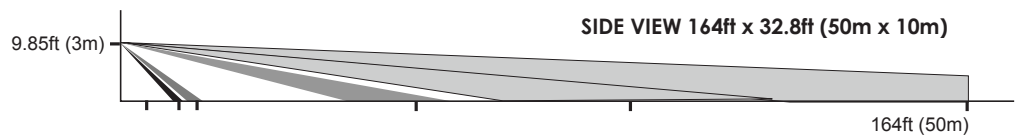
TECHNICAL SPECIFICATIONS

ACCESSORIES

GJD304	Conduit Adaptor
GJD305	Pole Mount Bracket
GJD308	'D-Guard' Anti Vandal Cage
GJD380	Walk Tester

RANGE	From 82ft to 164ft (25m to 50m) programmable
COVERAGE	Detection Area 164ft x 32.8ft (50m x 10m)
ADJUSTMENT	180° pan + 90° tilt
MOUNTING HEIGHT	Optimum 9.85ft (3m)
FRESNEL LENS	12 zones for each Pyro pair
CUSTOMISED OPTICS	Double silicon shielded quad element eliminates 50,000 Lux of white light
INDICATORS	1 x Blue LED on detection (configurable on/off)
OUTPUTS	2 x volt-free, silent solid state magnetically immune, 2 x neg, switched plus one common tamper (front and rear switched)
POWER INPUT	9 - 24 AC/DC
CURRENT	12 mA (12V nominal)
PULSE COUNT	1-2
WALK TEST	Output test mode with LED indication
OPERATING TEMP	-20°C to +55°C conformally coated electronics for increased stability
TEMP. COMPENSATION	Digital sensitivity adjustment
TIMER OPTIONS	2 to 60 seconds
LIGHT SENSING	Dusk (2 Lux) to 24 hour
HOUSING	High impact zinc alloy
PROTECTION RATING	IP55
DIMENSIONS	5.7in x 4.72in x 4.52in (145 x 120 x 115mm)
WEIGHT	750g NET, 880g GROSS
CABLE < 656ft (200M)	Utilising all five outputs (incl. tamper) - 12 core 7/0.2mm
CABLE < 1640ft (500M)	Utilising all five outputs (incl. tamper) - 12 core 16/0.2mm

BEAM PATTERNS



FRONT LENS VIEW 164ft x 32.8ft (50m x 10m)

