



## D-TECT 50 IP Motion Detector

The D-TECT 50 IP is an internet protocol connected detector that combines advanced signal processing and unique optical systems. The detection beam range can be programmed up to 184.0ft (50m), avoiding boundary overspill and making it particularly effective for perimeter detection.

Using Power over Ethernet and IP communication, the D-TECT 50 IP supports direct integration with all the major\* VMS and camera systems on the market, while keeping the installation just as easy as setting up an IP camera.

### Wide range of applications:

- Trigger lights and other smart devices when movement is detected.
- Send users an intruder notification.
- Control CCTV, providing alarms and camera movement.
- Setup Lux level events to operate blinds and curtains.
- Environmental temperature monitoring to help manage internal air conditioning and heating.

### Integrations:

GJD's D-TECT IP enabled sensors seamlessly integrate with home automation software including:

- Crestron
- Control4
- RTi

### The range also supports direct integration with third party cameras, NVR's, VMS's including:

- Lilin
- Bosch
- Vista Qulu
- Axis Camera Companion
- Wavestore VMS
- Embsec Visualiser
- QNAP
- Genetec Omnicast
- Griffid GMS & GMC
- Kentima Ethiris
- Milestone XProtect
- Mirasys Carbon
- SeeTec Enterprise & Probox
- Bosch
- Dahua
- Axis Camera Companion
- Hikvision
- Sony
- Ernitec

### PRODUCT CODES

**GJD250** D-TECT 50 IP 184.0ft (50m) PIR

**GJD250W** D-TECT 50 IP 184.0ft (50m) PIR (White Housing)

UNIQUE FEATURES	END USER BENEFITS
Power over Ethernet	Ability to monitor a large detection area
Programmable 184.0ft (50m) beam range	Exceptional resistance to false alarms
Advanced signal processing, quad pyro & optical systems	Low maintenance & cost efficient
Direct control of IP cameras	User-friendly, intuitive and quick online access
Web browser interface	Suitable for adverse weather conditions
Robust IP65 zinc metal housing	Easy to setup and service
Direct integration with VMS systems	Remote IP setup and diagnostics

We are continuously testing and updating our integration, so if you miss your favourite VMS or camera please email [info@gjd.co.uk](mailto:info@gjd.co.uk)

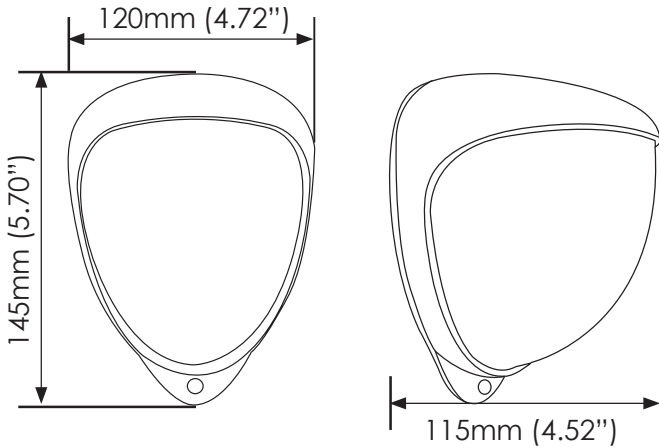
### SECTORS



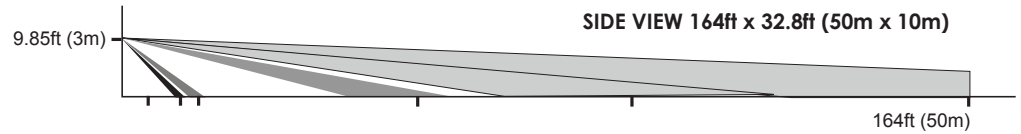
# TECHNICAL SPECIFICATIONS

Product Codes	ACCESSORIES
GJD304W	White Conduit Adaptor
GJD305	Pole Mount Bracket
GJD308	"D-Guard" Cage
GJD380	Walk Tester

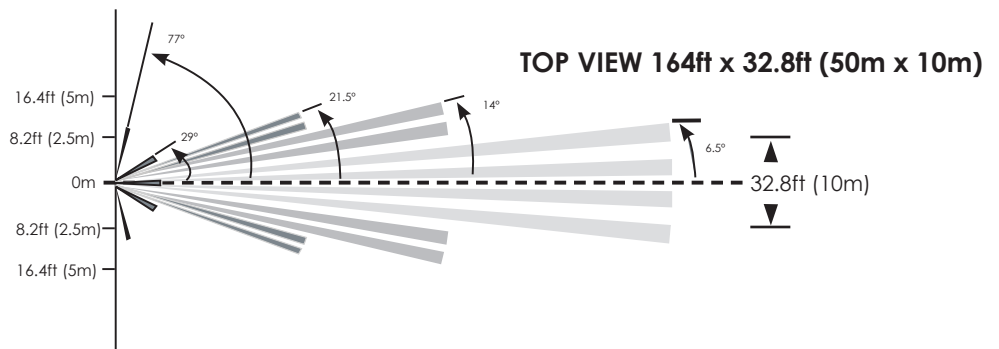
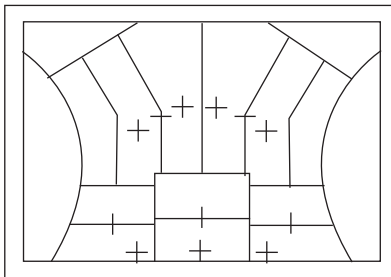
## DIMENSIONS



## BEAM PATTERNS



## FRONT LENS VIEW 164ft x 32.8ft (50m x 10m)



<b>RANGE</b>	Up to 82ft to 164ft (25-50m) programmable
<b>COVERAGE</b>	Detection Area 164ft x 32.8ft (50m x 10m)
<b>ADJUSTMENT</b>	180° pan + 90° tilt, with visual pan & tilt alignment markers
<b>MOUNTING HEIGHT</b>	Optimum 9.85ft (3m)
<b>FRESNEL LENS</b>	12 zones for each pyro pair
<b>CUSTOMISED OPTICS</b>	Double silicon shielded quad element eliminates 50,000 Lux of white light
<b>NETWORK ALARMS</b>	User configurable HTTP web requests, XML and raw TCP socket support. Direct integration for all major VMS software
<b>OUTPUTS</b>	2 x volt-free, silent solid state magnetically immune, programmable trigger options
<b>POWER SUPPLY</b>	Power over Ethernet (48V DC)
<b>POWER CONSUMPTION</b>	Max 3.8W, PoE class 1
<b>ETHERNET STANDARD</b>	Ethernet IEEE 802.3af, TCP/IP
<b>USER INTERFACE</b>	Web browser user interface. No software or installation needed
<b>PULSE COUNT</b>	1,2
<b>WALK TEST</b>	Output test mode with LED indication
<b>OPERATING TEMP</b>	-20°C to +55°C conformally coated electronics for increased stability
<b>TEMP. COMPENSATION</b>	Digital sensitivity adjustment
<b>TIMER OPTIONS</b>	Up to 120 seconds
<b>LIGHT SENSING</b>	Dusk (2 Lux) to 24 hour
<b>HOUSING</b>	High impact zinc alloy
<b>PROTECTION RATING</b>	Minimum IP65
<b>DIMENSIONS</b>	5.7in x 4.72in x 4.52in (145 x 120 x 115mm)
<b>WEIGHT</b>	692g