



D-TECT DUAL A-M Anti-Masking Motion Detector

The Dual Tech A-M is a BS8418 compliant, PIR/microwave external movement detector with anti-masking sensing, which can be used for intruder monitoring, CCTV surveillance and other alarm warning requirements.

The detector's dual technology anti-mask sensing module is equipped with one N/O and one N/C volt-free contact with a programmable beam range of up to 98.5ft (30m), avoiding boundary overspill and offering truly exceptional resistance to false alarms.

No other movement detectors are more versatile or offer such a wide range of features to enhance the detection of threats and significantly reduce the incidence of false alarms.

PRODUCT CODES

GJD360/US/AM Anti-Mask dual tech 10.525GHz (Silver Housing)

GJD360/US/AM /W Anti-Mask dual tech 10.525GHz (White Housing)

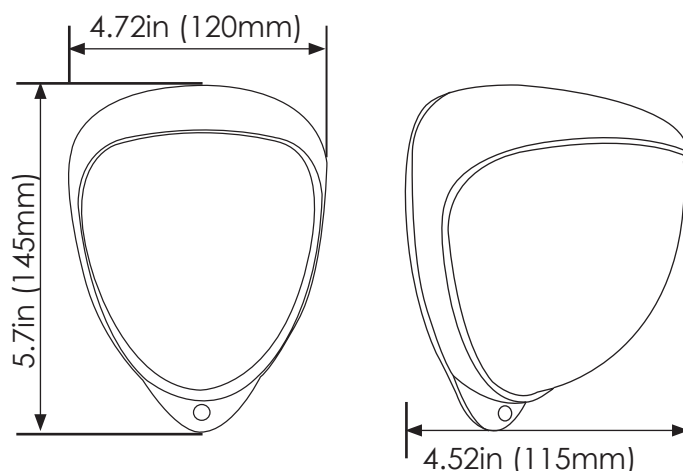
UNIQUE FEATURES

- Active infra-red sensor system to prevent mask tampering
- Adjustable 180° pan and 90° tilt
- Conduit adaptor available
- Programmable range up to 98.5ft (30m)
- Covert sensor module

END USER BENEFITS

- Modern design
- Exceptional resistance to false alarms
- Robust IP55 rated zinc alloy metal housing
- Superior triple technology protection

DIMENSIONS



SECTORS



RESIDENTIAL



COMMERCIAL



INDUSTRIAL



BORDERS



MILITARY BASES



PORTS



POWER PLANTS



HERITAGE



AIRPORTS



PRISONS

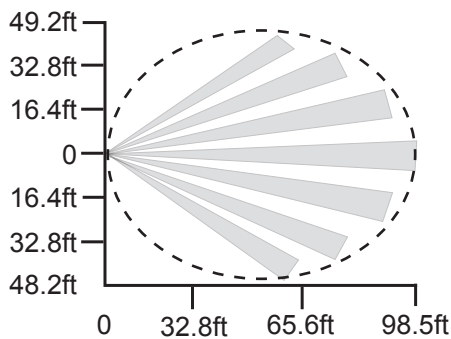
TECHNICAL SPECIFICATIONS

ACCESSORIES

GJD304	Conduit Adaptor
GJD305	Pole Mount Bracket
GJD380	Walk Tester

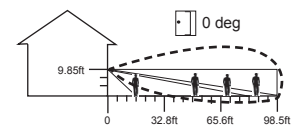
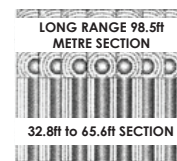
RANGE	32.8ft, 65.6ft or 98.5ft (10m, 20m or 30m) programmable
COVERAGE	10° - 70° detection angle, 98.5ft x 98.5ft (30m x 30m) max
ADJUSTMENT	180° pan + 90° tilt
MOUNTING HEIGHT	Variable - optimum 9.85ft (3m)
FRESNEL LENS	28 zones for each Pyro pair which can be masked with the curtain sliders
CUSTOMISED OPTICS	Double silicon shielded quad elements eliminates 50,000 lux of white-light
INDICATORS	Selectable 3 x LEDs Green-microwave, Red-both PIRs, Blue-alarm output
MICROWAVE FREQUENCY	Country dependent
OUTPUTS	3 x volt-free, silent solid state magnetically immune contacts: 1 x normally open alarm, 1 x normally closed alarm, 1 x normally closed anti-masking Common normally closed front and rear tamper
POWER INPUT	9 to 15 VDC
CURRENT	30mA (12V nominal)
PULSE COUNT	1-2
WALK TEST	Output test mode with LED indication
OPERATING TEMP	-20°C to +55°C Conformally coated electronics for increased stability
TEMP. COMPENSATION	Digital sensitivity adjustment
HOUSING	High impact zinc housing
PROTECTION RATING	Minimum IP55
DIMENSIONS	5.7in x 4.72in x 4.52in (145 x 120 x 115mm)
WEIGHT	750g NET, 880g GROSS
CABLE <200M	Utilising all four outputs (incl. tamper) 12 core 7/0.2mm
CABLE <500M	Utilising all 4 outputs (incl.tamper) 12 core 16/0.2mm

BEAM COVERAGE

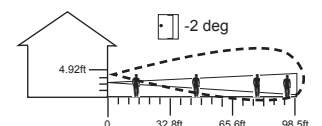


BEAM PATTERN SET TO MAXIMUM RANGE

MULTI-BEAM OPTIMUM
HEIGHT 9.85FT
RANGE MAXIMUM
MODULE TILT 0 DEGREE



PET IMMUNITY
HEIGHT 4.92FT
RANGE MAXIMUM
MODULE TILT -2 DEGREE



CURTAIN COVERAGE
HEIGHT 19.6FT
RANGE MAXIMUM
MODULE TILT 45 DEGREE

