



## IPAnything Module

I/O Controller designed for IP surveillance systems. The GJD IPA is a simple yet powerful I/O controller which quickly converts any type of alarm sensor to an IP sensor.

The IPA has a 12V/24V DC socket to power the sensor and four digital alarm inputs. Each input can be used to create network alarms directly to VMS, IP cameras or other network devices.

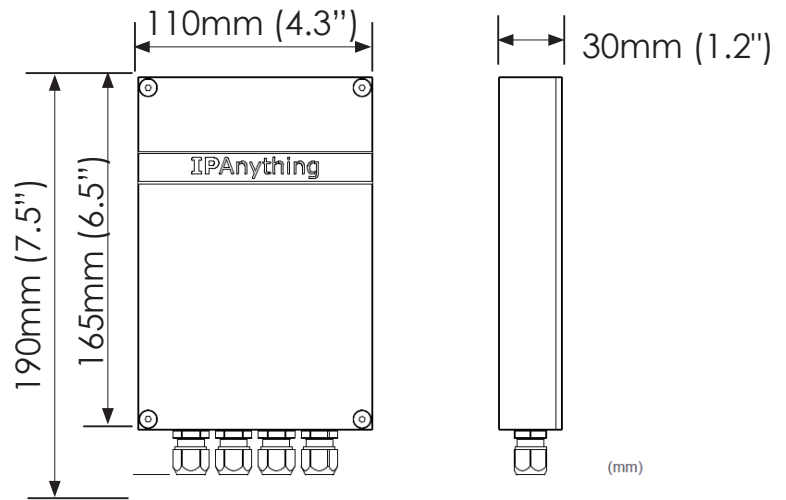
### PRODUCT CODES

GJD516 IPAnything Module

UNIQUE FEATURES
Power over Ethernet
Convert input signals to IP alarms
Integrate alarms with VMS or control cameras directly
12V/24V DC output for powering external units
Network controlled relay outputs

END USER BENEFITS
Allows analogue systems to be updated to IP
Intuitive and powerful web based user interface
Modern design
Heavy duty waterproof housing

### DIMENSIONS



### SECTORS



RESIDENTIAL



COMMERCIAL



INDUSTRIEL



BORDERS



MILITARY BASES



PORTS



POWER PLANTS



HERITAGE



AIRPORTS



PRISONS

# TECHNICAL SPECIFICATIONS

## SPECIFICATIONS

<b>DIGITAL INPUT</b>	4 x digital inputs, high / low / rising edge / falling edge / frequency counting
<b>ANALOG INPUT</b>	1 x 4-20 mA or 0-10V
<b>ALARM OUTPUT</b>	3 x relay. Max 30V, 200mA. N/C and N/O
<b>POWER OUTPUT</b>	1 x 12V DC, max 1A or 24V DC, max 0.5A
<b>NETWORK ALARMS</b>	User configurable HTTP web requests
<b>POWER SUPPLY</b>	Power over Ethernet (48V DC)
<b>POWER CONSUMPTION</b>	Max 12W, PoE class 3
<b>OPERATING TEMPERATURE</b>	- 30°C to + 60°C
<b>INTERFACE</b>	Ethernet IEEE 802.3af, TCP/IP. Web browser user interface
<b>MOUNTING</b>	4 x M6 (80 x 155mm), DIN-rail or mounting screws
<b>ENCLOSURE RATING</b>	IP66
<b>COLOUR</b>	Black
<b>WEIGHT</b>	0.6Kg

## ELECTRICAL SPECIFICATIONS

<b>DIGITAL INPUT</b>	12VDC, max 1A or 24VDC, max 0.5 A. Short circuit protection.
<b>ANALOG INPUT</b>	0-10V: Accuracy: +/- 25 mV, 12-bit resolution. 4-20 mA: Accuracy: +/- 0.05 mA, 12-bit resolution. Choose input type with DIP-switch.
<b>DIGITAL INPUT</b>	Max 24V. Low signal voltage: 0-1V. High signal voltage: 5-24V. Current typ. 4.4 mA @ 24V. Frequency counting: 0.2 Hz-2.5 kHz. Frequency accuracy <1%.
<b>DIGITAL OUTPUT</b>	Relay, max 30V, 200 mA. N/C and N/O.

