

# Clarius®



## Clarius® Small PoE

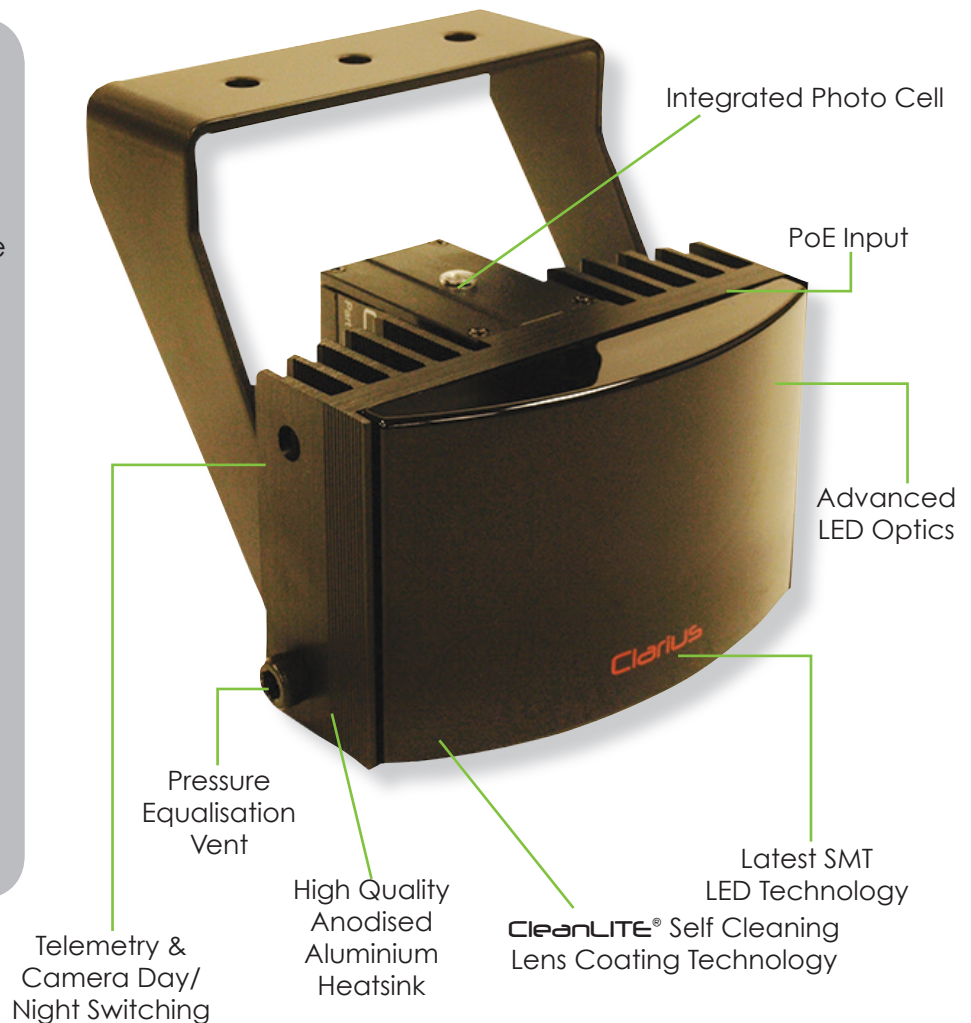
The Clarius range of high performance Infra-Red LED illuminators are designed to provide class leading performance, long life and ultra low maintenance.

Incorporating the latest surface mount LED's with enhanced optical output and outstanding reliability, they deliver excellent night-time images.

Each unit is fitted with integrated control circuitry to carefully control LED output, delivering consistent illumination and projected working life in excess of 10 years.

## PRODUCT FEATURES

- IR Illuminator Designed To Provide Dedicated Lighting For IP Cameras Via PoE (Power Over Ethernet) Enable Network Infrastructure
- IEEE802af Compliant
- Latest SMT LED Technology
- Distances Up To 35m (115')
- Angle 10°, 30°, 60°, 100x50°, 120°
- 850nm or 940nm Wavelengths
- 5 Year Warranty
- IP67 Weather Proof Rating
- Built-in Photocell IR On/Off
- Photocell Following Contact
- Telemetry Input for Remote Switching
- **CleanLITE®** Self Cleaning Lens Coating Technology



## SECTORS



RESIDENTIAL



COMMERCIAL



INDUSTRIAL



BORDERS



MILITARY BASES



PORTS



POWER PLANTS



HERITAGE



AIRPORTS

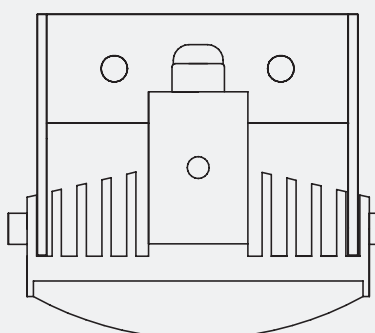
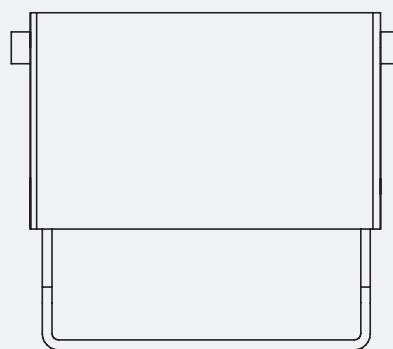
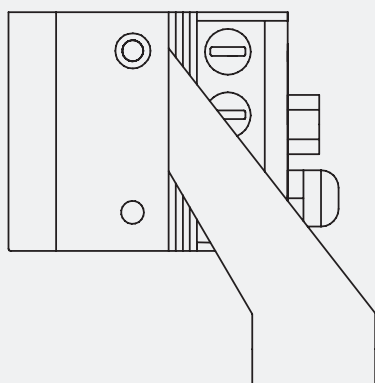


PRISONS

MODEL NUMBER	WAVELENGTH	ANGLE	DISTANCE		FOV	
IS-8-IP 850nm		10°	35m	115'	6m	20'
		30° x 20°	20m	66'	11m	35'
		60° x 30°	15m	49'	17m	56'
		80° x 60°	12m	40'	29m	94'
		120° x 50°	10m	33'	35m	115'

940nm also available

## TECHNICAL SPECIFICATIONS



### GENERAL

#### Electronics

High Efficiency Surface Mount High Power LED's With Advanced Current Limited Integral Control Circuitry

#### Construction Front Window

Robust High Quality Aluminium Extrusion Polycarbonate High Transmission Protective (Vandal Proof) IR Filter with **CleanLITE®** Technology

#### Finish Power Cable Interface Connector

Black Anodised  
3m (9ft) including RJ45 connector  
Photocell Following Contact & Remote Telemetry Input

#### Pressure Equalisation Vent Photocell

Prevents Thermal Expansion & Pressure Cycling  
Adjustable 20 -70 Lux

#### Illumination

Adjustable 10% - 100%

#### Operating Temperature

-50° to 60°C (-58° to 140°F)

#### Weight

750g (1.65lbs)

#### Mount

Powder Coated Stainless Steel Wall Mount

#### Dimensions

68 x 110 x 78mm (2.68" x 4.33" x 3.07")

### ELECTRICAL

#### Power Over Ethernet (PoE)

IEEE802af Compliant Interface, Power Classification (Class 0)

#### Consumption

12W

### WAVELENGTH

#### Standard

850nm (Semi Covert). Faint Red Glow Only

### CERTIFICATION

#### Safety

EN60598:2004 Electrical Safety  
EN60825-1 Laser Eye Safety

#### IP

IP67 In Accordance With EN60529:1992

#### EMC

EN61000, FCC Part 15. 107 15. 108 Class B

#### WEEE

Waste Electrical & Electronic Equipment European Directive 202/96/EC

#### RoHS

Restriction Of Hazardous Substance European Directive 202/95/EC

Please note GJD reserve the right to change the information within this document, without notice. **DSIS\_P-31-08-15**

[www.gjd.co.uk](http://www.gjd.co.uk) | [info@gjd.co.uk](mailto:info@gjd.co.uk) | +44 (0) 1706 363 998

Unit 2 Birch Business Park, Whittle Lane, Greater Manchester, Lancashire, OL10 2SX

