

Clarius®



Clarius® Small PoE

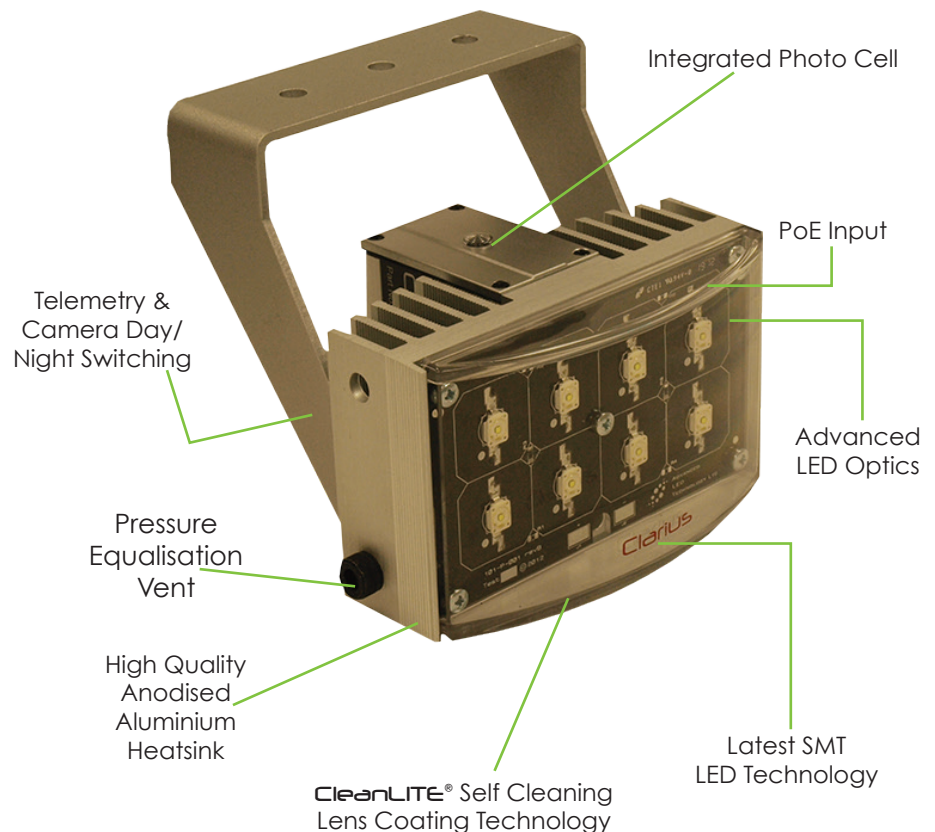
The Clarius® range of high performance White Light illuminators are designed to provide class leading performance, long life and ultra low maintenance.

Incorporating the latest surface mount LED's with enhanced optical output and outstanding reliability, they deliver excellent night-time images.

Each unit is fitted with integrated control circuitry to carefully control LED output, delivering consistent illumination and projected working life in excess of 10 years.

PRODUCT FEATURES

- White-Light Illuminator Designed To Provide
- Dedicated Lighting For IP Cameras Via PoE (Power Over Ethernet)
- IEEE802af Compliant
- Latest SMT LED™ Technology
- Elliptical Beam Profiles
- Distances Up To 25m (82')
- Angle 10, 30x20, 60x30, 80x40, 120x50
- 5 Year Warranty
- IP67 Weather Proof Rating
- Built-in Photocell WL On/Off
- Photocell Following Contact
- Telemetry Input for Remote Switching
- **CleanLITE®** Self Cleaning Lens Coating Technology



SECTORS



RESIDENTIAL



COMMERCIAL



INDUSTRIAL



BORDERS



MILITARY BASES



PORTS



POWER PLANTS



HERITAGE



AIRPORTS

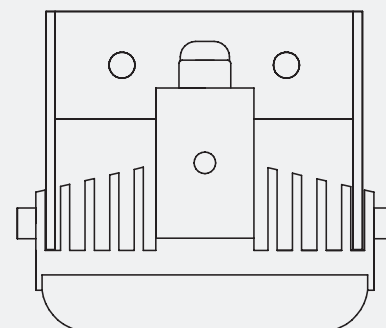
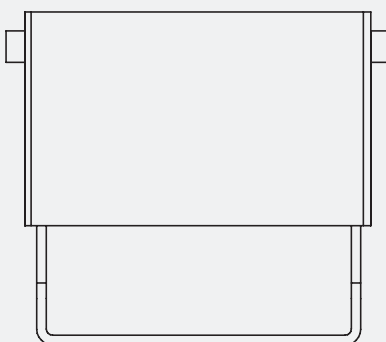
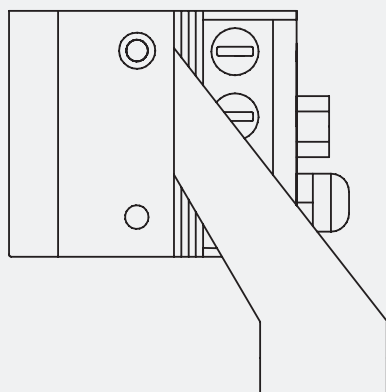


PRISONS

MODEL NUMBER	ANGLE	DISTANCE		FOV	
VS-CW10-P	10°	25m	82'	4m	14'
VS-CW30-P	30°	14m	46'	8m	25'
VS-CW60-P	60°	10m	33'	12m	38'
CS-CW100-P	100° x 500	8m	28'	19m	63'
VS-CW120-P	120°	7m	23'	24m	80'

Other angles available on request

TECHNICAL SPECIFICATIONS



GENERAL

Electronics	High Efficiency Surface Mount High Power LED's With Advanced Current Limited Integral Control Circuitry
Construction	Robust High Quality Aluminium Extrusion
Front Window	Polycarbonate High Transmission Protective (Vandal Proof) IR Filter with CleanLITE ® Technology
Finish	Black Anodised
Power Cable	3m with RJ45connector
Interface Connector	Photocell Following Contact & Remote Telemetry Input
Pressure Equalisation Vent	Prevents Thermal Expansion & Pressure Cycling
Photocell	Adjustable 20 -70 Lux
Illumination	Adjustable 10% - 100%
Operating Temperature	-50° to 60°C (-58° to 140°F)
Weight	750g (1.65bs)
Mount	Powder Coated Stainless Steel Wall Mount
Dimensions	68 x 110 x 78mm (2.68" x 4.33" x 3.07")

ELECTRICAL

Power Over Ethernet	IEEE802.3af Compliant
Consumption	12W

LIGHTING OUTPUT

Lumen Output	928lm
Wavelength	Visible Spectrum (400-750nm)
Colour Temperature	6500k
Colour Rendering Index	74-80+

CERTIFICATION

Safety	EN60598:2004	Electrical Safety
	EN60825-1	Laser Eye Safety
IP	IP67 In Accordance With EN60529;1992	
EMC	EN61000, FCC Part 15. 107 15. 108 Class B	
WEEE	Waste Electrical & Electronic Equipment European Directive 202/96/EC	
RoHS	Restriction Of Hazardous Substance European Directive 202/95/EC	

Please note GJD reserve the right to change the information within this document, without notice. **DSVS_P-31-08-15**



www.gjd.co.uk | info@gjd.co.uk | +44 (0) 1706 363 998

Unit 2 Birch Business Park, Whittle Lane, Greater Manchester, Lancashire, OL10 2SX